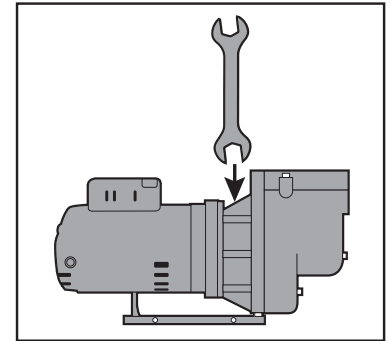


# Centrifugal Pump Maintenance Winterization and Spring Start-Up

## WINTERIZATION

1. Turn off lawn controller and source water valve – break suction vacuum.
2. If feasible, disconnect water source and discharge piping.
3. On pump case, open both top and bottom drain valves to remove water from pump chambers.
4. If blowing out irrigation system with pressurized air, use a narrow box wrench (dia. 1) to prevent the shaft from spinning. When impeller spins too fast, motor governor can be damaged.
5. Once water is drained from pump case, close drain valves.
6. Fill pump case just past the eye of the impeller, with Munro Freeze Defeat\* pump winterization fluid. The Munro Freeze Defeat will keep cast iron pump cases from rusting and keep the impeller free for spring start-up.

\* Munro Freeze Defeat is safe for most grasses and landscaping, when drained and residual diluted fluid is introduced into irrigation water. Use caution with fragile plants, flushing pump with water prior to start up.

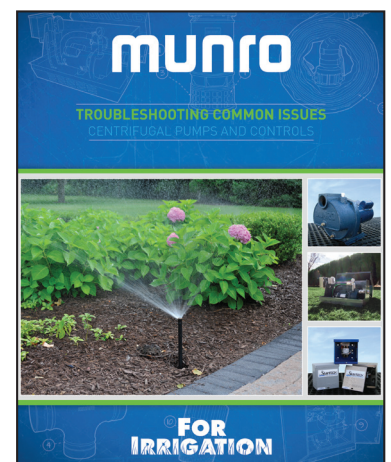


dia. 1



## SPRING STARTUP

1. Drain and save the Munro Freeze Defeat for next year.
2. Close top and bottom drain valves.
3. Reconnect water source and discharge piping.
4. Turn on lawn controller and source water valve.
5. If issues arise, refer to your owner's manual or the Munro Troubleshooting Guide for Centrifugal Pumps and Controls ([www.munropump.com/resources#tips-troubleshooting](http://www.munropump.com/resources#tips-troubleshooting))



**munro**

munropump.com  
PH: 800.942.4270

**munro**  
SUPPLY

munrosupply.com  
PH: 800.933.1290